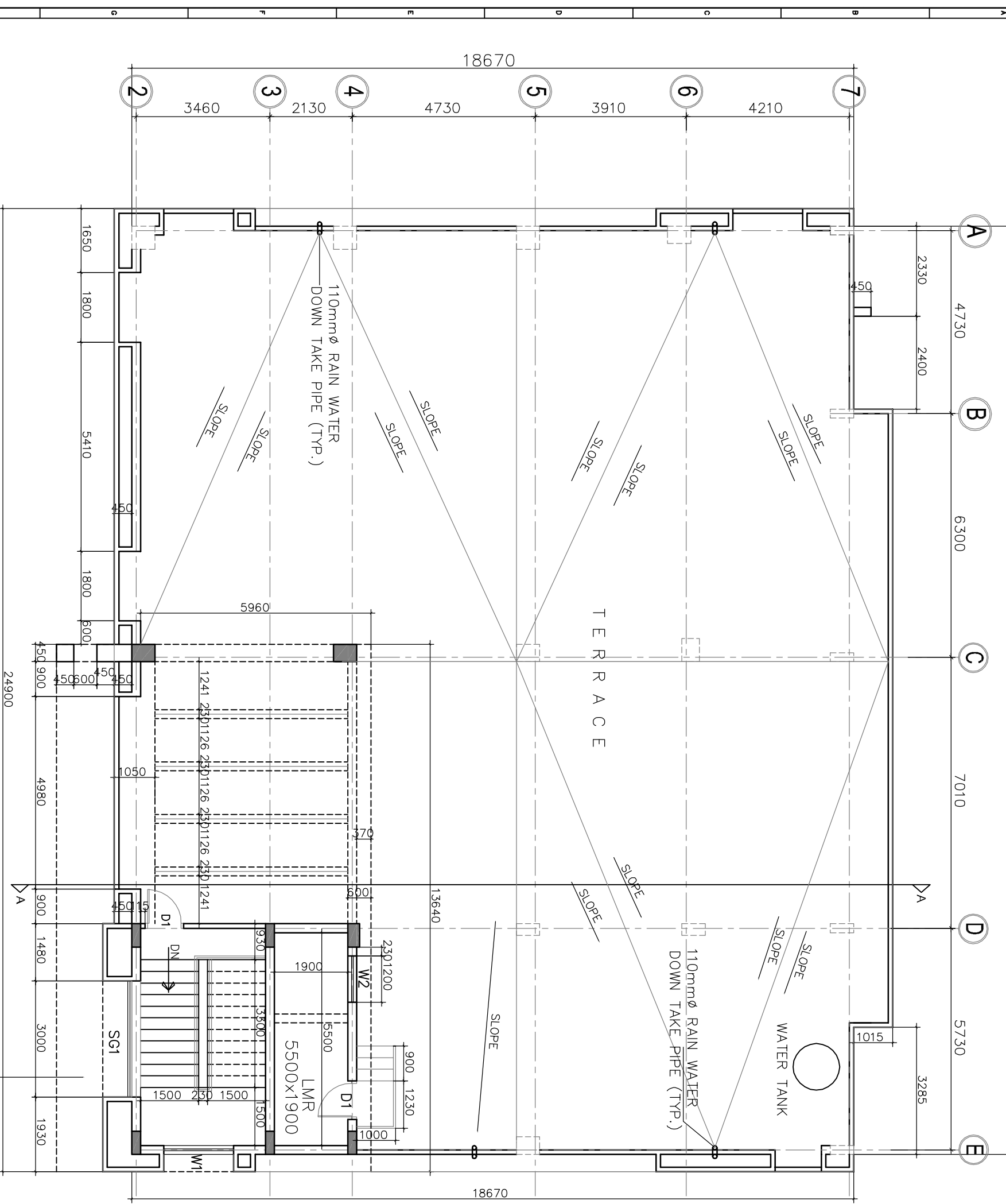
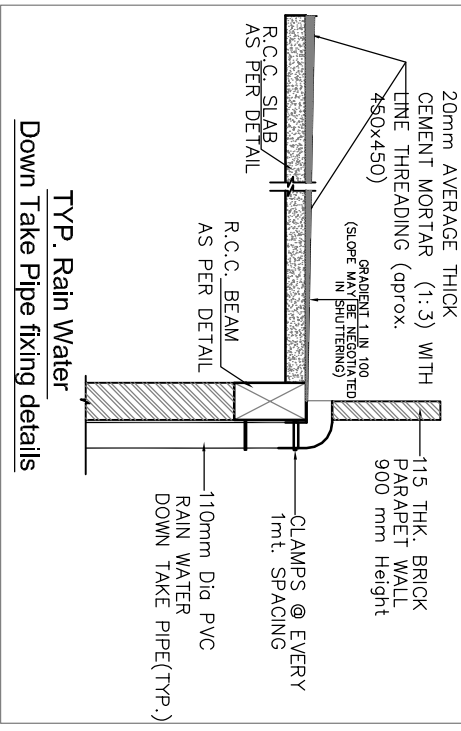


24000



TERRACE FLOOR PLAN



COPY RIGHT OF THIS DRAWING BELONGS TO M/S. S.S. CONSULTANTS AND SHOULD NOT BE USED FOR ANY PURPOSE OTHER THAN SPECIFIED WITHOUT PRIOR PERMISSION.

NORTH :

STATUS : ARCHITECTURAL WORKING DRAWING

PROJECT : PROPOSED ADMINISTRATION BLOCK AT JEEDIMETLA HYDERABAD

CLIENT : CENTRE OF EXCELLENCE DEPT OF HORTICULTURE

TITLE : PROPOSED ADMIN BLOCK TERRACE FLOOR PLAN

CONSULTANTS :

S.S. CONSULTANTS
 PROJECT CONSULTANTS
 #17&9, JABBAR BUILDINGS,
 BEGUMPET, HYDERABAD-16
 PH: 66310240, 66310954.
 FAX NO: 040-66312949.
 emdil: sicons35699@gmail.com

DATE : 18-11-2015 SHEET NO: 04

SCALE : N.T.S.

DEALT BY : D.VANAGA LAKSHMI

ARCHITECT : A.V. LAKSHMI

CHKD BY : S.S. RAO

DRG. NO : SS / C.O.E / ADMN. BLOCK / TER. / AD-04